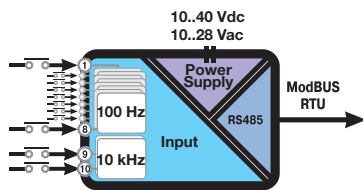




Z-10-D-IN

10-CH DIGITAL INPUT MODULE / RS485 MODBUS RTU



Z-10-D-IN is a 10 digital inputs with self-powered 16V DC shared negative pole. Z-10-D-IN has 8 built-in inputs with 16 bit contactor with 100 Hz max. frequency and 2 inputs with 32 bit contactor with 10 kHz max. frequency. At 10 kHz Z-10-D-IN assures frequency measurement. For 100 Hz input the module measures period, frequency and TON, TOFF. The module offers possibility to set total counters for forward or backward counting. Z-10-D-IN gives also overflow indication for each total counter.

TECHNICAL SPECIFICATIONS

Electrical Specifications

Power supply	10..40 Vdc / 19..28 Vac / 50-60 Hz
Power consumption	1,5 W
Isolation	1.500 Vac (3 way)
Status Indicators	Power supply, Fail, RX, TX
Protection Degree	IP20
Input protection	600 W/ms transient current suppressors

Thermomechanical Specifications

Operating Temperature	-10..+65 °C
Dimension (W x H x D)	17.5 x 100 x 112 mm
Weight	About 140 g
Enclosure	PBT, black
Connections	Removable 3-way crew terminals, 3.5 pitch Rear IDC10 connector for Z-PC backplane
Mounting	35 mm DIN rail guide

Communication

Interface	2 wire RS485
Speed	Up to 57.600 bps
Protocol	ModBUS RTU slave
Distance	Up to 1.200 m
Connectivity	Max 32 nodes

Signals

Channel Numbers	10, self powered 16 Vdc shared negative pole
Type	Reed, contact sensors, proximity, pnp, npn Nr 2 inputs - 32 bit counters @ 10 kHz Nr 8 inputs - 16 bit counters @ 100 Hz Absorbed current: 3 mA (per input) Min pulse width: 4 ms..50 µs

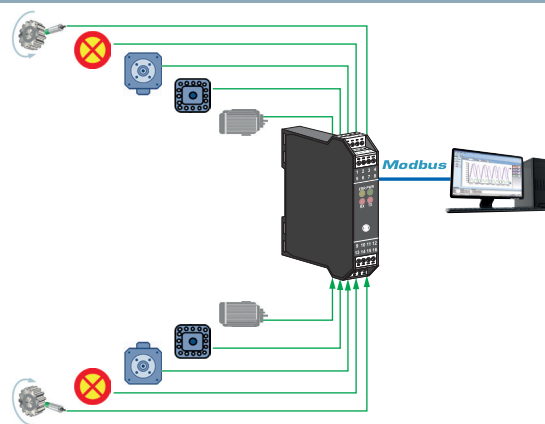
Configuration

DIP switches	Baud rate, address, inversion scale, digital filter, totalizers, Modbus latency time
Software	Z-NET3 (lec 61131) EASY Z-10-D-IN (plug&play)

Standard

Approval	CE, RINA, UL UR CSA
Norms	EN 61000-6-4; EN 61000-6-2; EN 61010

APPLICATION NOTE



ORDER CODES

Code	Description
Z-10-D-IN	5-CH Digital input module / RS485 ModBUS RTU, 10..40 Vdc / 19..28 Vac

ACCESSORIES & SOFTWARE

Z-PC-DIN Backplane for power & bus communication pg. 36	Z-SUPPLY Switching power supply pg. 36	Z-NET IEC 61331 programming software pg. 36	EASY SETUP Plug&Play configuration software pg. 36

SIMILAR PRODUCTS

Z-D-IN 5-CH Digital Input module / RS485 pg. 10	Z-D-10 8-CH, 6 digital input - 2 digital outputs control module pg. 14	ZC-24-DI 24 CH digital input CANopen / ModBUS pg. 28	ZC-16DI-8DO 16 CH digital input - 8 CH digital output CANopen / ModBUS pg. 30